





WIRELESS ANTENNAS

900MHz Applications



- 
 Ideal for lower frequency wireless applications in the ISM 900MHz band
- 
 Omni-directional radiation pattern provides broad 360° coverage
- 
 One-eighth wavelength dipole configuration
- 
 Connection and color options easily integrate with OEM designs

Electrical Specifications @ 25°C

Antenna Part No.	Frequency (MHz)	Gain (dBi)	Impedance (Nom)	VSWR	Polarization	Electrical Length	Radiation	Color
W1047	860 - 928	1.0	50Ω	≤ 2.0	Vertical	1/8, dipole	Omni	Black

NOTE: This part number is lead-free and RoHS compliant. No additional suffix or identifier is required.

Color Options

- Black*
- Gray (Pantone cool gray 8C)
- Gray (Pantone 429C)
- Gray (Pantone cool gray 7C)

Connector Options

- Reverse SMA (Female)*
- SMA (Male)

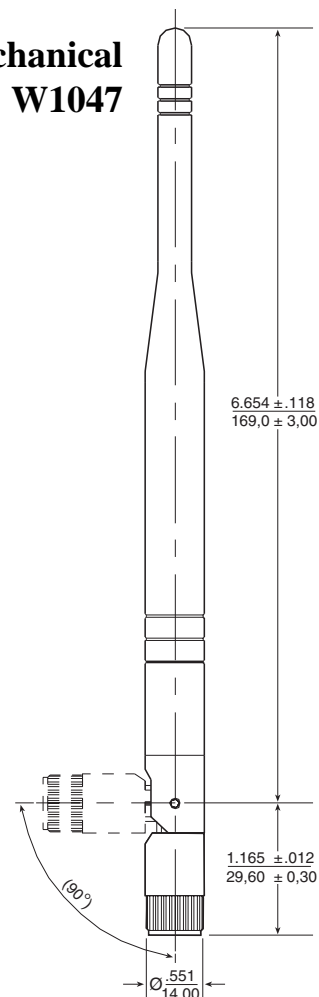
**Default Configuration - Please contact Pulse Applications Engineering for assistance in ordering colors and connectors.*

Weight.....25.6 grams
 Carton20/bag; 500/carton

Dimensions: $\frac{\text{Inches}}{\text{mm}}$

Unless otherwise specified, all tolerances are $\pm \frac{.010}{0,25}$

Mechanical W1047



WIRELESS ANTENNAS

900MHz Applications



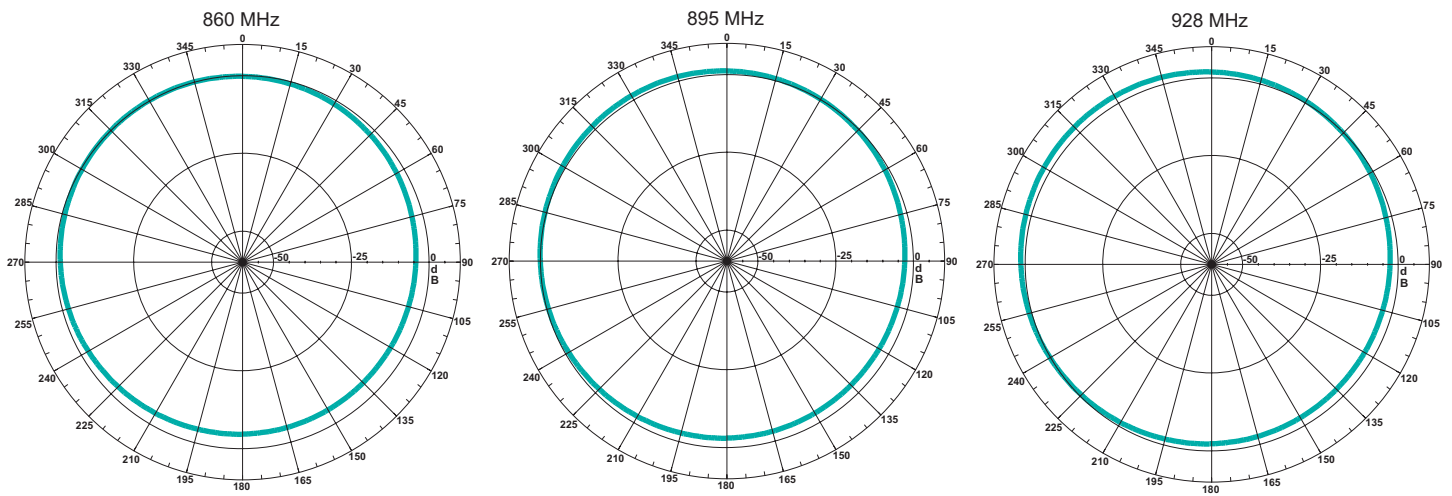
Application Notes

Omni-directional antennas provide a uniform, donut-shaped, 360° radiation pattern. The omni-directional pattern is suitable for point-to-multipoint broadcasting in all directions. This antenna is primarily used for WLAN applications. However, it can also be

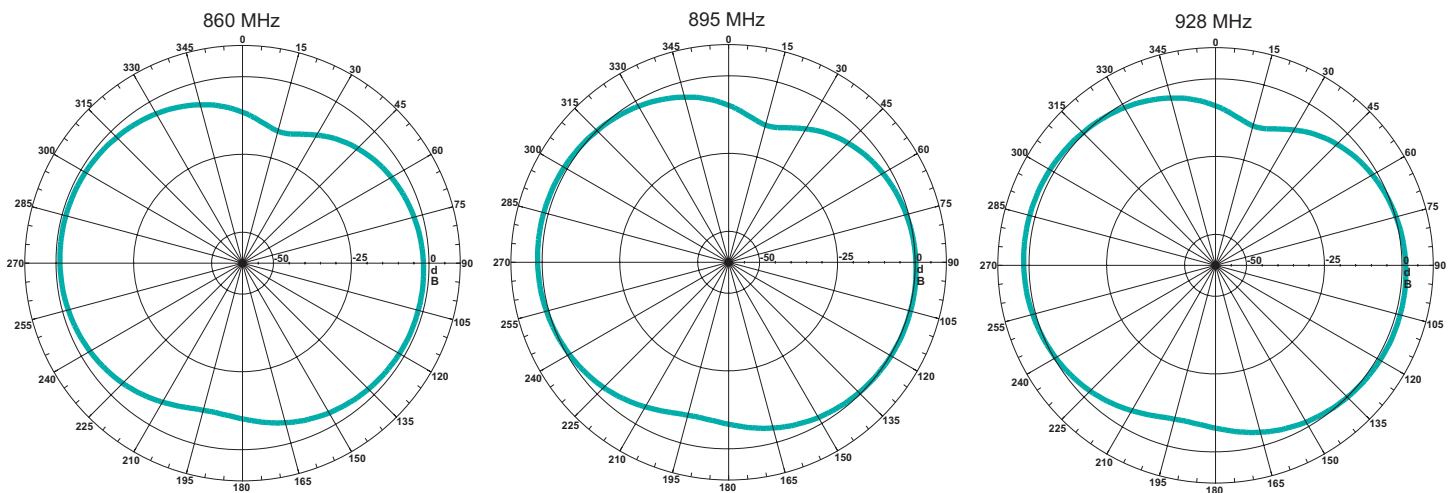
used for a variety of other applications within the specified frequency range. When used as an access point, the antenna is ideally located at the center of the coverage area.

Gain Performance - W1047

Horizontal Position



Vertical Position



WIRELESS ANTENNAS

2.4GHz and 5.0 GHz Applications



- Dual-band, blade style antenna
- For WLAN devices using WiFi (802.11a/b/g), Bluetooth® and ZigBee™
- Omni-directional radiation pattern provides broad 360° coverage
- One-quarter wavelength dipole configuration
- Connection and color options easily integrate with OEM designs



Electrical Specifications @ 25°C								
Antenna Part No.	Frequency (GHz)	Gain (dBi)	Impedance (NOM)	VSWR	Polarization	Electrical Length	Radiation	Color
W1043	2.4 & 5.0	2.0	50Ω	≤ 2.0	Vertical	1/4, dipole	Omni	Black

NOTE: This part number is lead-free and RoHS compliant. No additional suffix or identifier is required.

Color Options

- Black*
- Gray (Pantone cool gray 8C)

Connector Options

- Reverse SMA (Female)*
- SMA (Male)

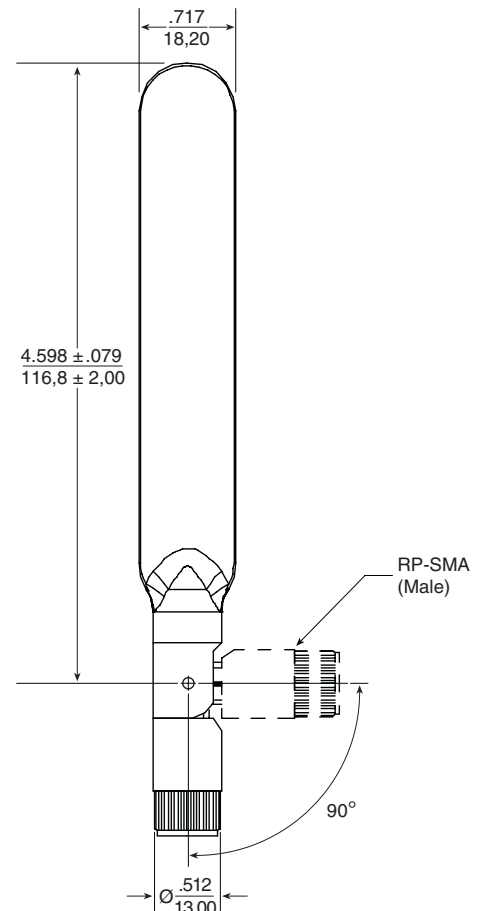
**Default Configuration - Please contact Pulse Applications Engineering for assistance in ordering colors and connectors.*

Weight.....18.0 grams
Carton20/bag; 500/carton

Dimensions: $\frac{\text{Inches}}{\text{mm}}$

Unless otherwise specified, all tolerances are $\pm \frac{.010}{0,25}$

Mechanical Outline W1043



WIRELESS ANTENNAS

2.4GHz and 5.0 GHz Applications



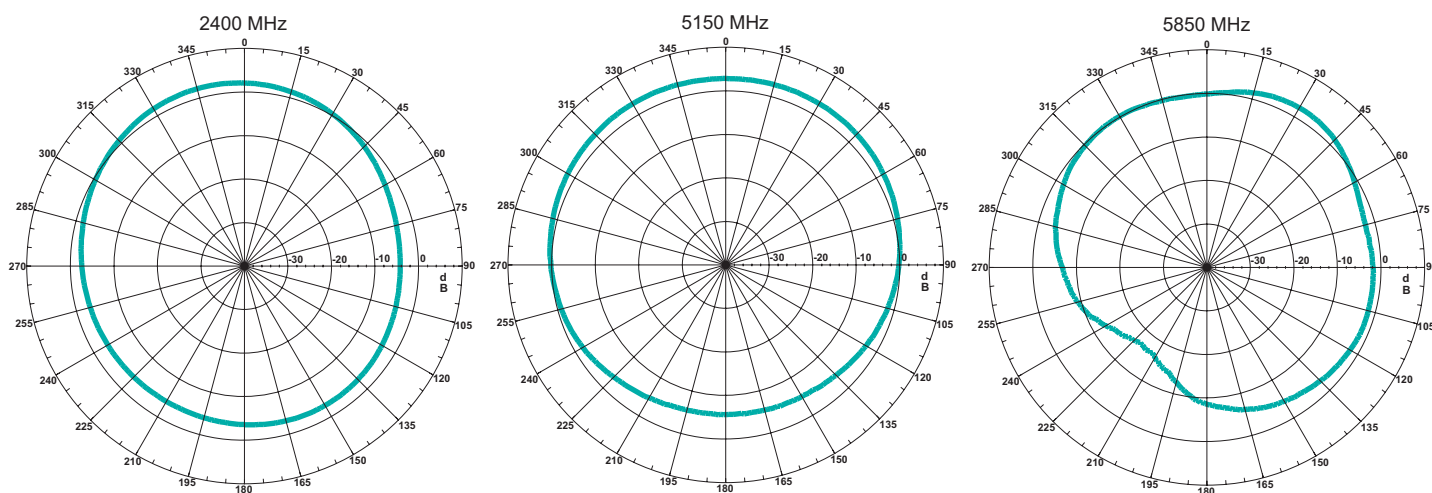
Application Notes

Omni-directional antennas provide a uniform, donut-shaped, 360° radiation pattern. The omni-directional pattern is suitable for point-to-multipoint broadcasting in all directions. This antenna is primarily used for WLAN applications. However, it can also be

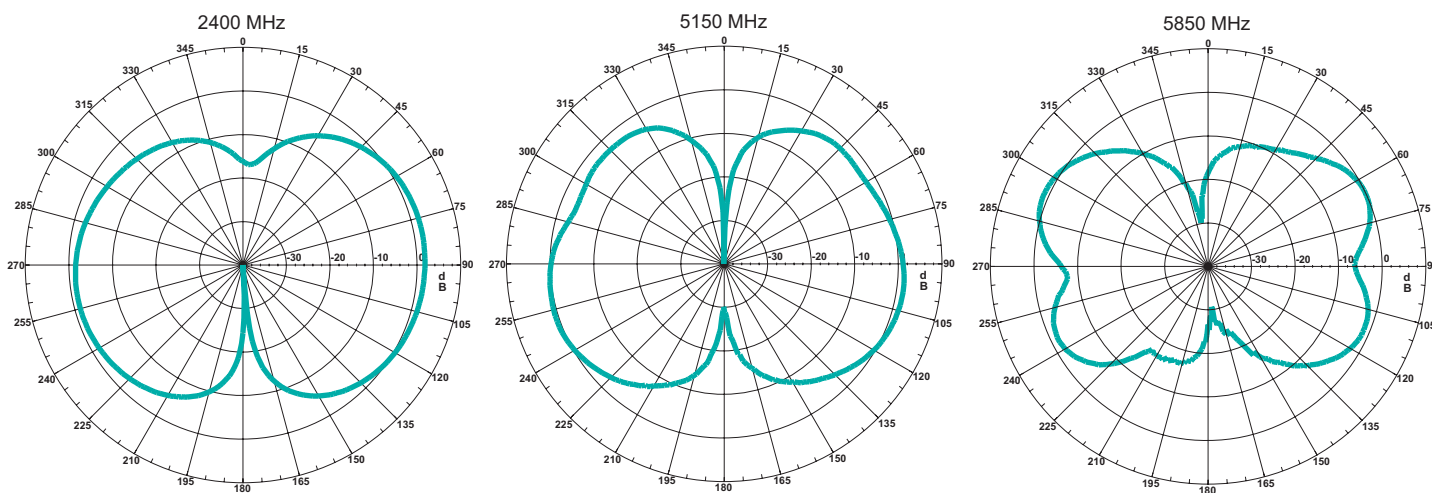
used for a variety of other applications within the specified frequency range. When used as an access point, the antenna is ideally located at the center of the coverage area.

Gain Performance - W1043

Horizontal Position



Vertical Position



WIRELESS ANTENNAS

2.4GHz and 5.0 GHz Applications



- Dual-band antenna
- Magnetic, weighted base for use on desktop or metal surface
- 1500mm flexible cable for remote placement (alternate lengths and configurations available)
- For WLAN devices using WiFi (802.11a/b/g), Bluetooth® and ZigBee™
- Omni-directional radiation pattern provides broad 360° coverage
- One-quarter wavelength dipole configuration

Electrical Specifications @ 25°C

Antenna Part No.	Frequency (GHz)	Gain (dBi)	Impedance (NOM)	VSWR	Polarization	Electrical Length	Radiation	Color
W1045	2.4 & 5.0	2.0	50Ω	≤ 2.0	Vertical	1/4, dipole	Omni	Black

NOTE: This part number is lead-free and RoHS compliant. No additional suffix or identifier is required.

Color Options

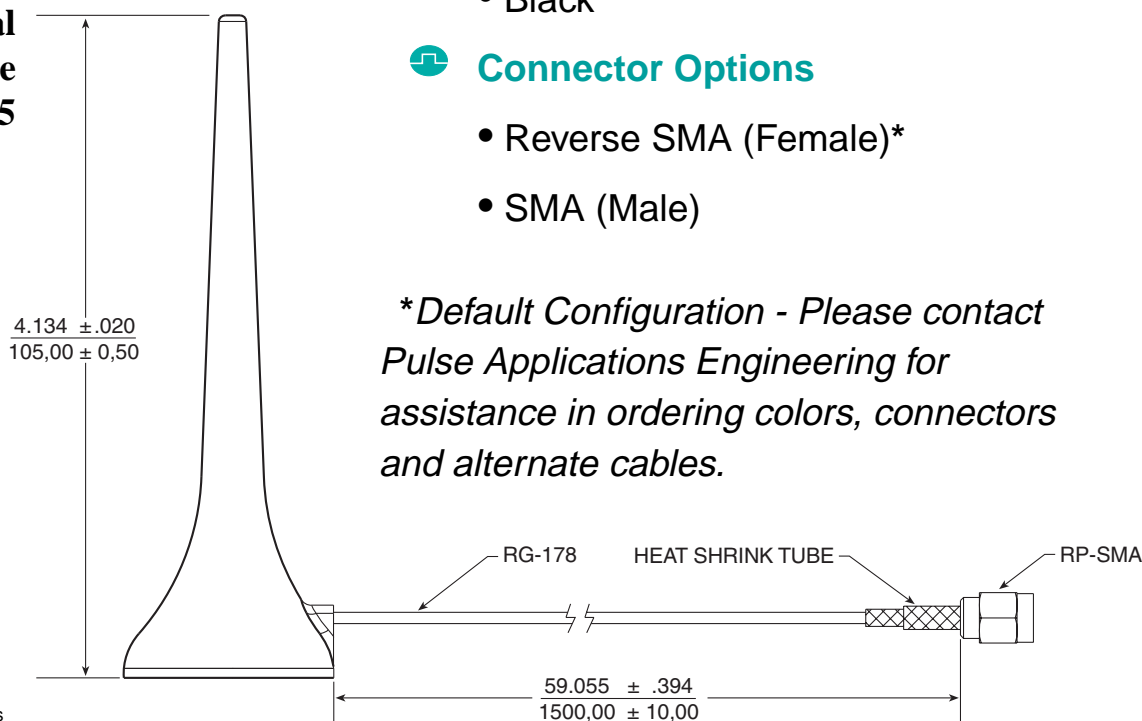
- Black*

Connector Options

- Reverse SMA (Female)*
- SMA (Male)

**Default Configuration - Please contact Pulse Applications Engineering for assistance in ordering colors, connectors and alternate cables.*

Mechanical Outline W1045



Weight38.5 grams
Carton500/carton

Dimensions: $\frac{\text{Inches}}{\text{mm}}$

Unless otherwise specified, all tolerances are $\pm \frac{.010}{0.25}$

WIRELESS ANTENNAS

2.4GHz and 5.0 GHz Applications



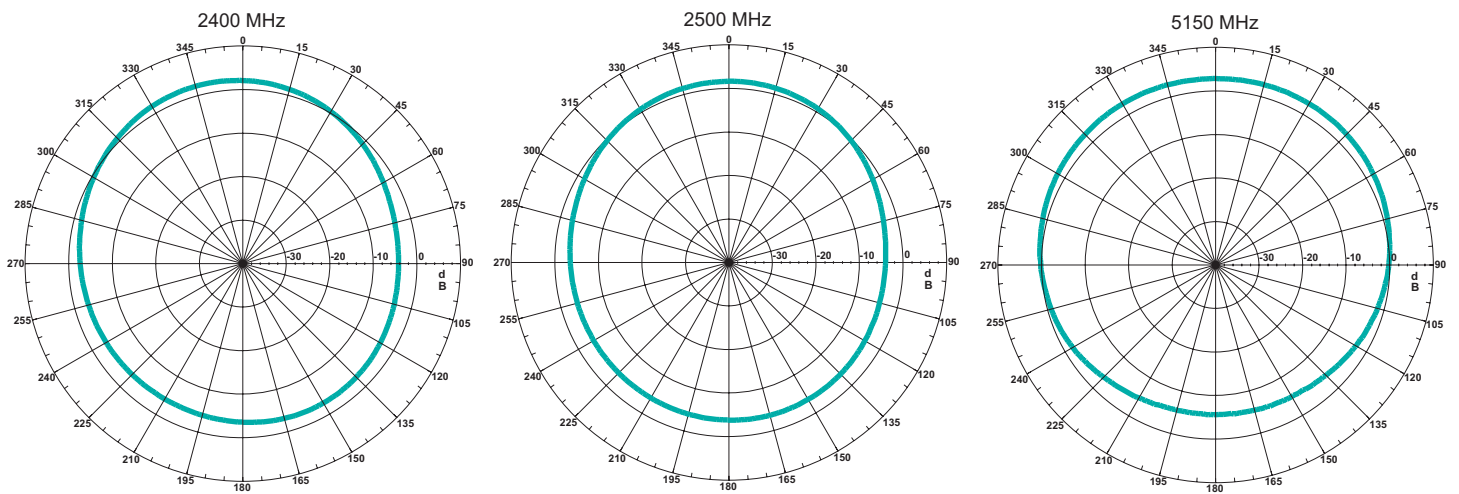
Application Notes

Omni-directional antennas provide a uniform, donut-shaped, 360° radiation pattern. The omni-directional pattern is suitable for point-to-multipoint broadcasting in all directions. This antenna is primarily used for WLAN applications. However, it can also be

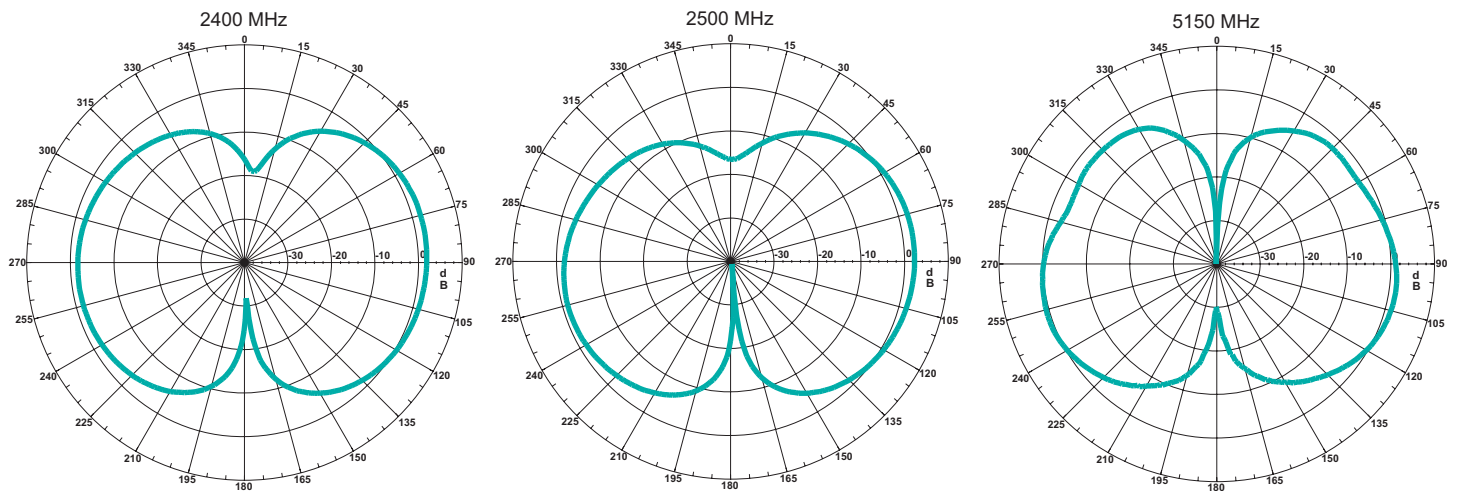
used for a variety of other applications within the specified frequency range. When used as an access point, the antenna is ideally located at the center of the coverage area.

Gain Performance - W1045

Horizontal Position








Vertical Position



WIRELESS ANTENNAS

5.15GHz and 5.85GHz Applications



-  High frequency and high gain antenna
-  For WLAN devices using WiFi (802.11a) and ISM 5.8GHz band
-  Omni-directional radiation pattern provides broad 360° coverage
-  One-quarter wavelength dipole configuration
-  Connection and color options easily integrate with OEM designs



Electrical Specifications @ 25°C								
Antenna Part No.	Frequency (GHz)	Gain (dBi)	Impedance (NOM)	VSWR	Polarization	Electrical Length	Radiation	Color
W1028	5.15 - 5.85	2.0	50Ω	≤ 1.9	Vertical	1/4, dipole	Omni	Black

NOTE: This part number is lead-free and RoHS compliant. No additional suffix or identifier is required.

Color Options

- Black*
- Gray (Pantone cool gray 8C)

Connector Options

- Reverse SMA (Female)*
- SMA (Male)

**Default Configuration - Please contact Pulse Applications Engineering for assistance in ordering colors and connectors.*

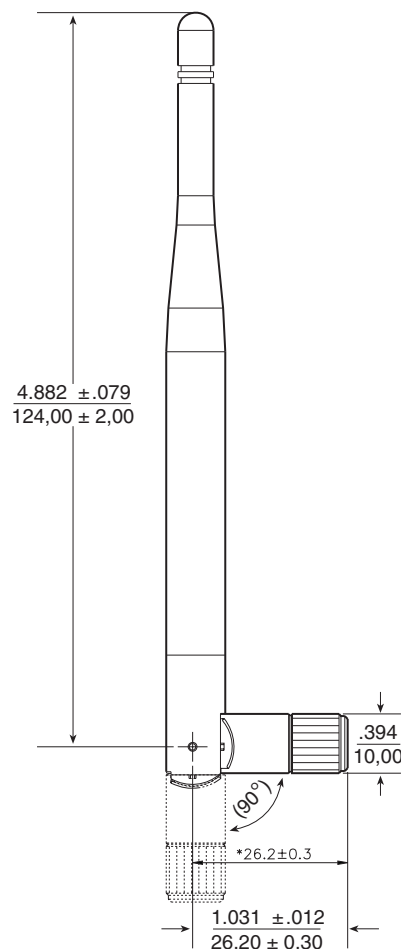
Weight.....12.9 grams

Carton20/bag; 500/carton

Dimensions: $\frac{\text{Inches}}{\text{mm}}$

Unless otherwise specified, all tolerances are $\pm \frac{.010}{0,25}$

Mechanical Outline W1028



WIRELESS ANTENNAS

5.15GHz and 5.85GHz Applications



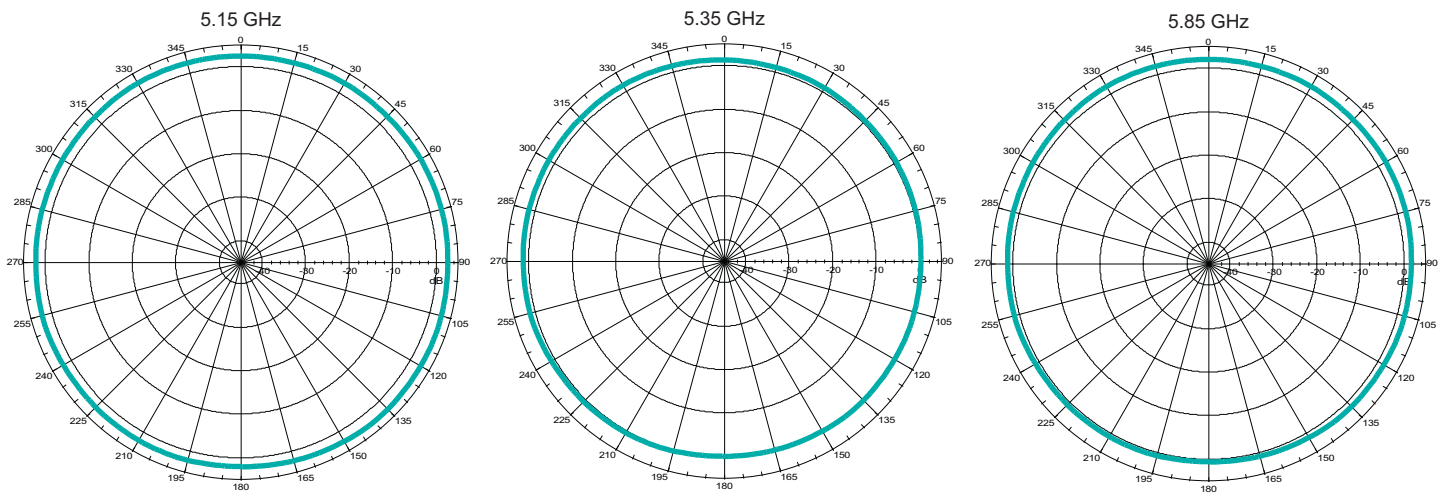
Application Notes

Omni-directional antennas provide a uniform, donut-shaped, 360° radiation pattern. The omni-directional pattern is suitable for point-to-multipoint broadcasting in all directions. This antenna is primarily used for WLAN applications. However, it can also be

used for a variety of other applications within the specified frequency range. When used as an access point, the antenna is ideally located at the center of the coverage area.

Gain Performance - W1028

Horizontal Position



Vertical Position

